

EPU-3 TEST CABLE WIRING FOR GE90 HMU

J	Shutoff Open Solenoid +	2
K	Shutoff Open Solenoid -	3
L	Shutoff Closed Solenoid +	5
M	Shutoff Closed Solenoid -	6
E		
F		
G		
N	+FMV	21
P	-FMV	22
		...

GE90 HMU FMV CURRENT = 100 mA
 GE90 HMU SOV CURRENT = 200 mA

SOV Connector

SOV CONNECTOR



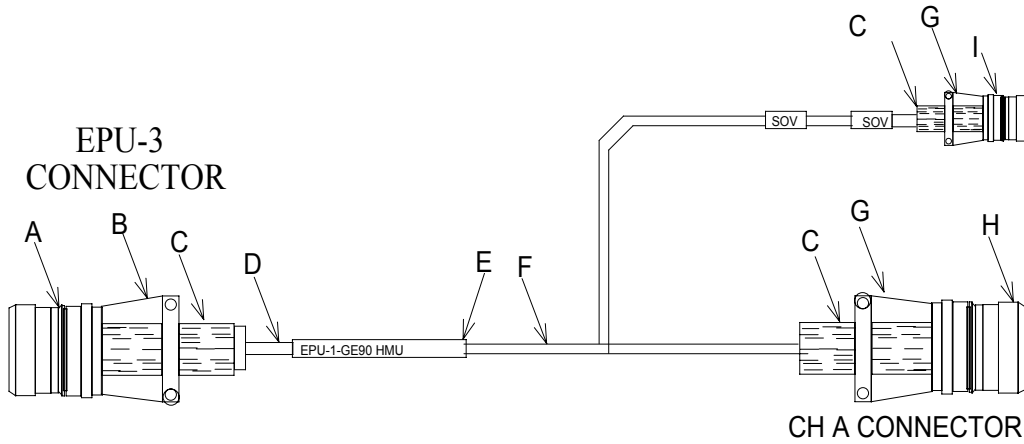
Fuel Shutoff Valve Connector
 M83723/86R1407N CONNECTOR PLUG
 M85049/52-1-14N BACK SHELL

FMV Connector

FMV CONNECTOR



FMV Torque Motor Channel A
 M83723/86R1624N CONNECTOR PLUG
 MS5049/52-1-16N BACKSHELL



- A CONNECTOR PLUG
- B WIRE GRIP
- C RUBBER BOOT
- D 6-CONDUCTOR WIRE
- E LABELS AND HEAT SHRINK
- F EXPANDABLE POLYESTER SLEEVING
- G CORD GRIP
- H GE90 HMU FMV CONNECTOR PLUG
- I GE90 HMU SOV CONNECTOR PLUG

DWG TYPE		DETAIL-ASSEMBLY	
SIGNATURES			
DWG		EPU-3 Engine Preservation Unit Cables	
CKD		EPU-GE90 HMU FMV - SOV	
		25 Ft Length	
	size	Cage Code	Dwg No.
	D		
	scale		sheet 1 of 1